

Kidde Engineered Fire Suppression System

Designed for use with 3M™ Novec™ 1230 Fire Protection Fluid



Effective: June 2015

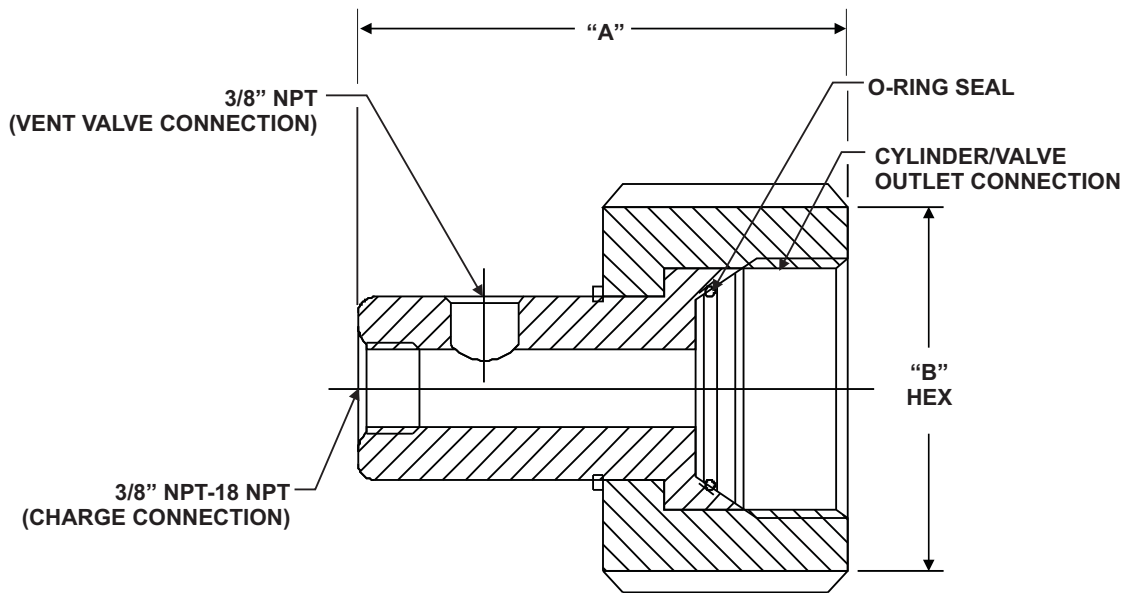
Cylinder Recharge Adapters

K-45-7145 Rev AC

FEATURES

- *UL Listed, ULC Listed, and FM Approved for use with Novec 1230 Systems*

P/Ns: 878757 AND 878758



MATERIALS

- Zinc Plated Steel

ORDERING INFORMATION

| Part Number | Cylinder Size | Dimensions | |
|-------------|--|----------------------|---------------------|
| | | A | B |
| 878757 | 10 to 125 lb. (4.5 to 56.7 kg) | 3.22 in. (82 mm) | 2.50 in. (64 mm) |
| 878758 | 200 and 350 lb. (90.7 and 158.7 kg) | 4.06 in. (103 mm) | 3.25 in. (83 mm) |

Note: Fill adapter not required for cylinders that use a 3-inch valve (600 and 900 lb. cylinders).

Kidde is a registered trademark of Kidde-Fenwal, Inc.
3M and Novec are trademarks of 3M.
All other trademarks are property of their respective owners.

This literature is provided for informational purposes only. KIDDE-FENWAL, INC. assumes no responsibility for the product's suitability for a particular application. The product must be properly applied to work correctly. If you need more information on this product, or if you have a particular problem or question, contact KIDDE-FENWAL, Inc.